

NO. E1BV-2033

ISSUED: MAY.1998

REVISED: DEC.2011



**HOSHIZAKI
SELF-CONTAINED CUBER**

**MODEL IM-130WME
IM-130WME-23**

PARTS LIST

[HE,CHINA]

| | | | |
|-----|-----------|-----|-----------|
| H-1 | MAR. 1998 | F-0 | DEC. 2005 |
| H-2 | JUL. 1998 | G-0 | JAN. 2007 |
| J-0 | DEC. 1998 | G-1 | JUN. 2007 |
| K-0 | DEC. 1999 | G-2 | DEC. 2007 |
| A-0 | DEC. 2000 | T-0 | JAN. 2008 |
| B-0 | DEC. 2001 | T-1 | JUL. 2008 |
| C-0 | DEC. 2002 | U-0 | JAN. 2009 |
| D-0 | DEC. 2003 | V-0 | JAN. 2010 |
| D-1 | NOV. 2004 | L-0 | JAN. 2011 |
| E-0 | DEC. 2004 | | |
| E-1 | APR. 2005 | | |

MATERIAL ABBREVIATIONS

ALUMINUM

AL = Aluminum

COPPER

CU = Copper

PLASTIC

ABS = Acrylonitrile -butadiene - styrene
AC = Polyacetal
EVA = Ethylene vinyl acetate
PA = Polyamide = Nylon
PC = Polycarbonate
PE = Polyethylene
PES = Polyester
PETP = Polyethylene terephthalate = Tetlon
PP = Polypropylene
PS = Polystyrene
PTFE = Polytetrafluoroethylene = Teflon
PUR = Polyurethane
PVC = Polyvinyl chloride

RUBBER

VN = Vinyl Nitrile
EPDM = EP rubber
NBR = Nitrile butadiene rubber
NR = Natural rubber
NP = Neoprene
SI.R = Silicone rubber
SY.R = Synthetic rubber
EPH = Epichlorohydrin

STEEL

GS = Galvanized steel
SS = Stainless steel
PS = Plated steel
PAS = Primed steel

AUXILIARY CODE

K-0

Designates the year. "K" indicates the year 2000. Years progress or regress in alphabetical order. "J" is 1999, "L" is 2001, "M" is 2002, and so on. The letters "I" and "O" were skipped.
Designates significant part changes within the same year. Base is 0 and this number advances for each change.

Example: P-1

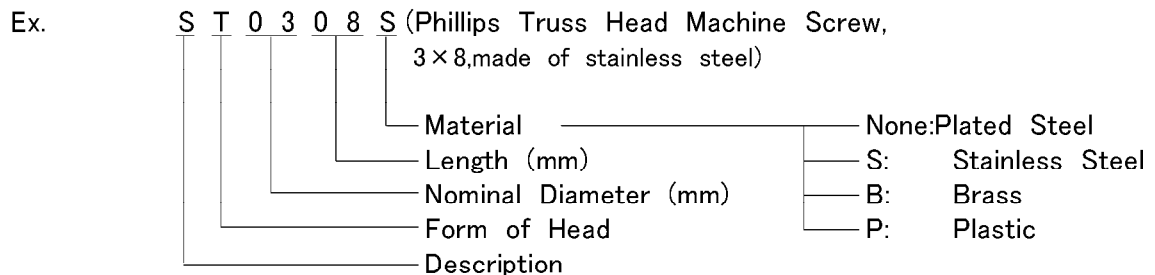
"P" indicates 2004.
"1" indicates the first significant part change for 2004.

MARKS LOCATED UNDER THE AUXILIARY CODE

- = Part deleted.
x = Part deleted and replaced by "o" part.
o = New part in place of "x" part.

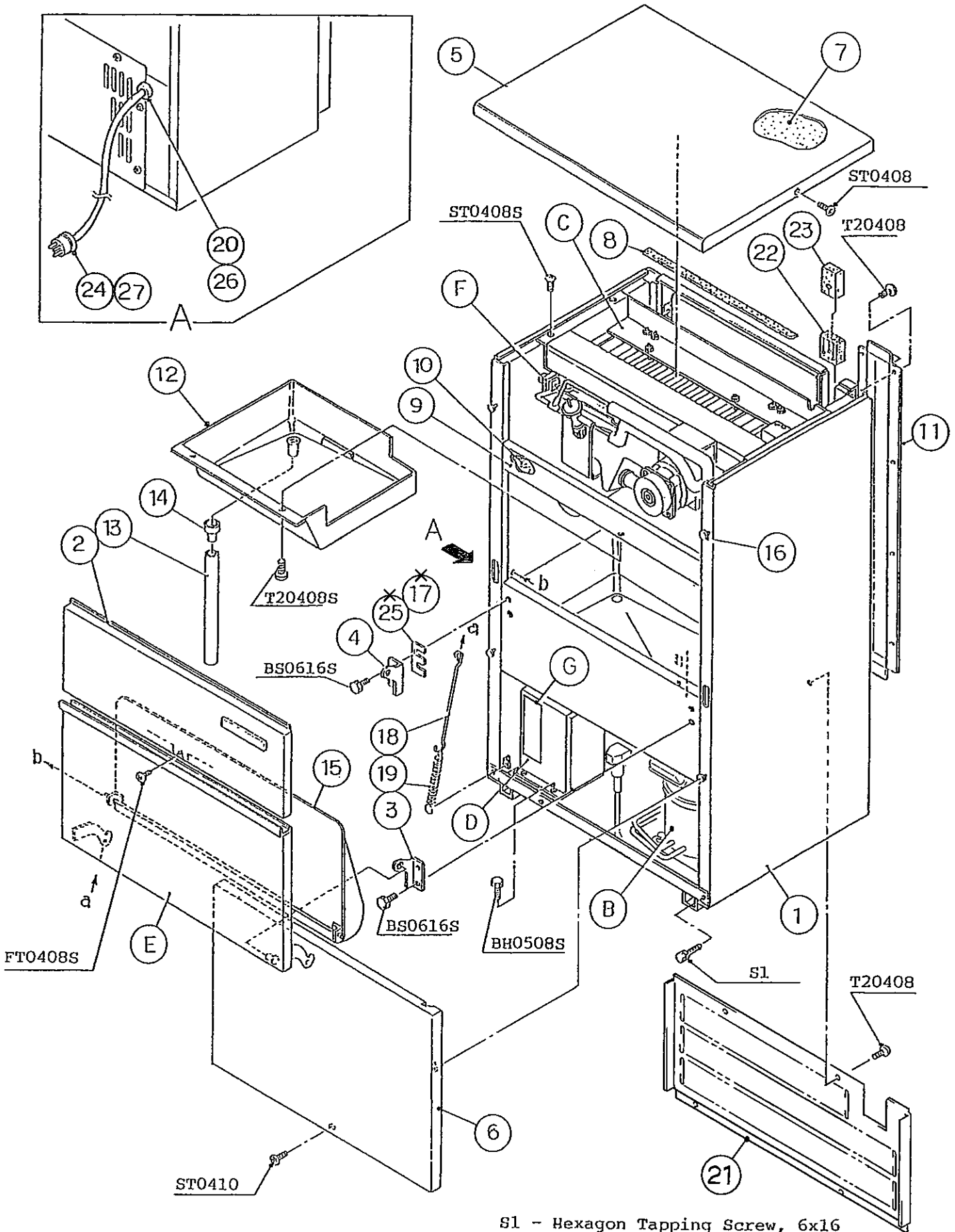
FASTENER ABBREVIATION LIST

| | | |
|-----|---|---|
| ST | = | Phillips Truss Head Machine Screw |
| SP | = | Phillips Pan Head Machine Screw |
| SF | = | Phillips Flat Head Machine Screw |
| SS | = | Phillips Pan Head Machine Screw with Split Lock Washer |
| SW | = | Phillips Pan Head Machine Screw with Split Lock Washer and Flat Washer |
| T1 | = | Phillips Truss Head Tapping Screw (Correspond to Type A) |
| T2 | = | Phillips Truss Head Tapping Screw (Correspond to Type B) |
| T3 | = | Phillips Truss Head Tapping Screw (Correspond to Type C) |
| FT | = | Phillips Truss Head Tapping Screw (Special) |
| BH | = | Hexagon Head Bolt |
| BC | = | Socket Head Cap Screw |
| BS | = | Hexagon Bolt with Split Washer |
| BW | = | Hexagon Bolt with Split Washer and Flat Washer |
| BF | = | Hexagon Flange Bolt |
| BR | = | Cross-Recessed Hexagon Head Bolt |
| BRW | = | Cross-Recessed Hexagon Head Bolt with Split Lock Washer and Flat Washer |
| WL | = | Split Lock Washer |
| WT | = | External Tooth Washer |
| WF | = | Flat Washer |
| WS | = | Spring Washer |
| NH | = | Hexagon Nut |
| NF | = | Hexagon Flange Nut |
| NC | = | Hexagon Cap Nut |
| NS | = | Square Nut |
| NW | = | Wing Nut |



(Note) Second character is numerical except the list.
 Ex: S1,S2,B3 etc.

And abbreviations and names are shown under the illustration.



S1 - Hexagon Tapping Screw, 6x16

HE

| MODEL : IM-130WME | | | | | | | |
|--------------------------|---------------------------|--------------------------|-------------|----------------------------------|--------------------------------------|------------|-------------------|
| IM-130WME-23 | | | | TITLE : A. ICE CUBER ASSY | | | |
| INDEX NO. | DESCRIPTION | MATERIAL OR MODEL NUMBER | PART NUMBER | REQ'D NUMBER | | | |
| | | | | H-1 | H-2,J-0 K-0,A-0 B-0,C-0 D-0 | D-1 E-0 | E-1 F-0 G-0 |
| B | REFRIGERATION UNIT | (130WME) | 1H1764A01 | 1 | — | | |
| | | | 1H1764A02 | | 1 | 1 | 1 |
| | REFRIGERATION UNIT | (130WME-23) | - | 1 | 1 | 1 | 1 |
| C | ICE MAKING MECHANISM ASSY | (130WME) | 1H0268A06 | 1 | 1 | 1 | 1 |
| | ICE MAKING MECHANISM ASSY | (130WME-23) | - | 1 | 1 | 1 | 1 |
| D | CONTROL BOX ASSY | - | 2H3668A02 | 1 | 1 | — | |
| | | | 2H3668A05 | | | 1 | — |
| | | | 2H6792A02 | | | | 1 |
| E | DOOR ASSY | - | 3H1420A07 | 1 | 1 | 1 | 1 |
| | | | 3Y2909A01 | | | | |
| | | | 3Y3817A01 | | | | |
| F | WATER CIRCUIT ASSY | - | 3H9588A01 | 1 | 1 | 1 | 1 |
| G | LABEL LOCATION | (130WME) | 3X1601A01 | 1 | 1 | 1 | — |
| | | | 3X1601A02 | | | | 1 |
| | LABEL LOCATION | (130WME-23) | - | 1 | 1 | 1 | 1 |
| 1 | UNIT BODY | - | 1H1259G02 | 1 | 1 | 1 | 1 |
| | | | 1H1259G04 | | | | |
| 2 | FRONT PANEL (UPPER) | S.S | 3H8109G04 | 1 | 1 | 1 | 1 |
| 3 | HINGE (RIGHT) | S.S | 4H2583-01 | 1 | 1 | 1 | 1 |
| 4 | HINGE (LEFT) | S.S | 4H2584-01 | 1 | 1 | 1 | 1 |
| 5 | TOP PANEL | S.S | 3H9607-01 | 1 | 1 | 1 | 1 |
| 6 | FRONT PANEL (LOWER) | S.S | 2H3333-01 | 1 | 1 | 1 | 1 |
| 7 | INSULATION - TOP PANEL | | 3H9602-01 | 1 | 1 | 1 | 1 |
| 8 | SEAL | TP-230 t3x15x700 | 1H1762-44 | 1 | 1 | 1 | 1 |
| 9 | FRONT FRAME | S.S | 3H7761-04 | 1 | 1 | 1 | 1 |
| 10 | INSULATION - FRONT FRAME | PE | 4H2687-01 | 1 | 1 | 1 | 1 |
| 11 | COVER - PIPE | G.S | 3H1436-01 | 1 | 1 | 1 | 1 |
| 12 | DRAIN PAN | ABS | 2H1935-01 | 1 | 1 | 1 | 1 |
| 13 | PIPE - DRAIN | ABS | 4H2688-01 | 1 | 1 | 1 | 1 |
| 14 | DRAIN TUBE | SI | 4H2585-01 | 1 | 1 | 1 | 1 |
| 15 | SLOPE | ABS | 3H1452G01 | 1 | 1 | 1 | 1 |
| 16 | TAPER COLLAR | S.S | 4H0171-01 | 4 | 4 | 4 | 4 |
| 17 | HINGE SPACER (B) | S.S | 4H0605-02 | 1 | 1x | | |

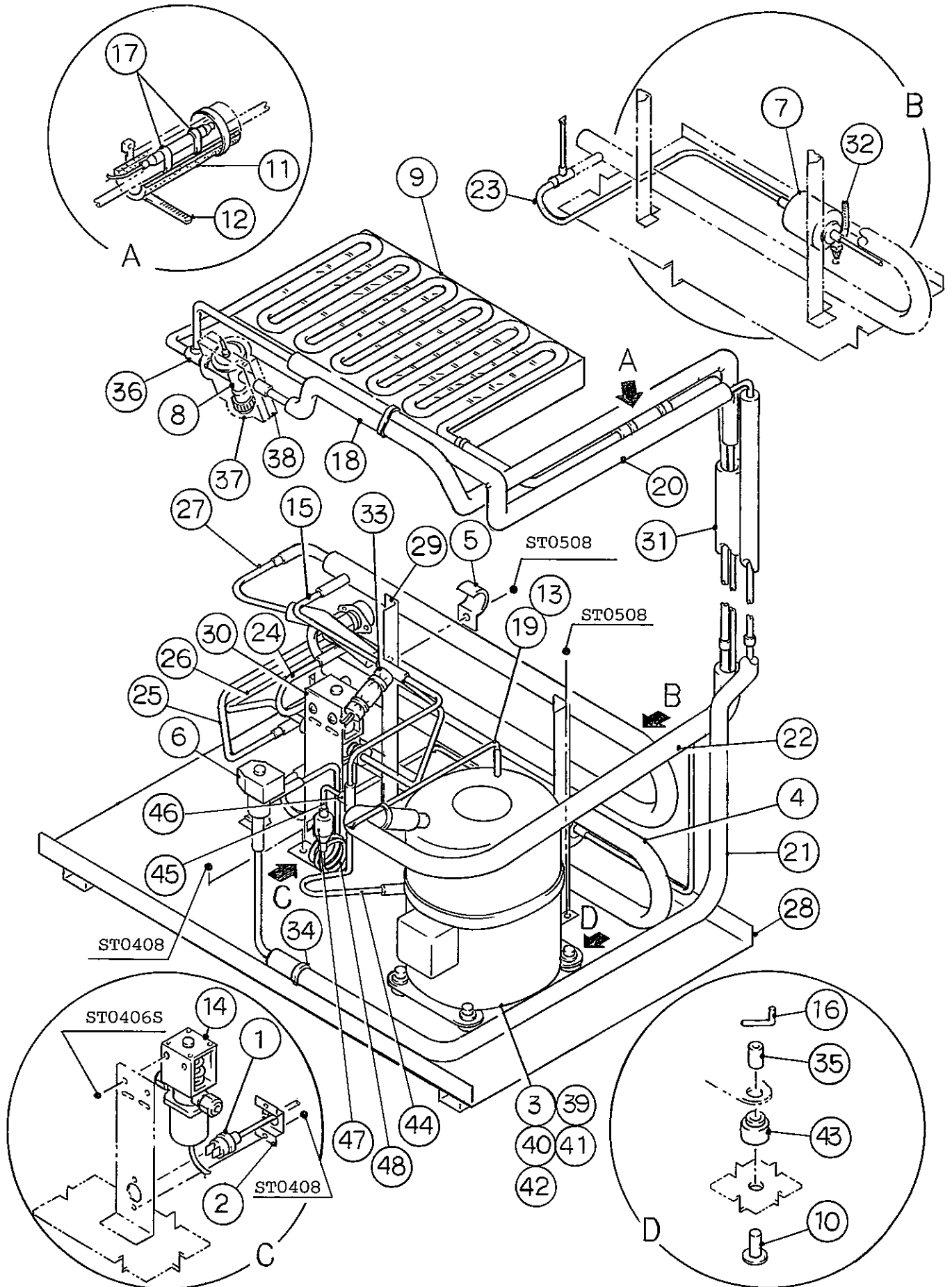
HE,CHINA

| MODEL : IM-130WME | | | | | | | |
|--------------------------|---------------------------|--------------------------|-------------|----------------------------------|------------|--------------------|--|
| IM-130WME-23 | | | | TITLE : A. ICE CUBER ASSY | | | |
| INDEX NO. | DESCRIPTION | MATERIAL OR MODEL NUMBER | PART NUMBER | REQ'D NUMBER | | | |
| | | | | G-1 | G-2 T-0 | T-1,U-0 V-0,L-0 | |
| B | REFRIGERATION UNIT | (130WME) | - | | | | |
| | | | 1H1764A02 | 1 | 1 | 1 | |
| | REFRIGERATION UNIT | (130WME-23) | - | 1 | 1 | 1 | |
| C | ICE MAKING MECHANISM ASSY | (130WME) | 1H0268A06 | 1 | 1 | 1 | |
| | ICE MAKING MECHANISM ASSY | (130WME-23) | - | 1 | 1 | 1 | |
| D | CONTROL BOX ASSY | - | - | | | | |
| | | | | | | | |
| | | | 2H6792A02 | 1 | 1 | 1 | |
| E | DOOR ASSY | - | 3H1420A07 | 1 | - | | |
| | | | | | | | |
| | | | 3Y2909A01 | | 1 | - | |
| | | | 3Y3817A01 | | | 1 | |
| F | WATER CIRCUIT ASSY | - | 3H9588A01 | 1 | 1 | 1 | |
| G | LABEL LOCATION | (130WME) | - | | | | |
| | | | 3X1601A02 | 1 | 1 | 1 | |
| | LABEL LOCATION | (130WME-23) | - | 1 | 1 | 1 | |
| 1 | UNIT BODY | - | 1H1259G02 | - | | | |
| | | | | | | | |
| | | | 1H1259G04 | 1 | 1 | 1 | |
| 2 | FRONT PANEL (UPPER) | S.S | 3H8109G04 | 1 | 1 | 1 | |
| 3 | HINGE (RIGHT) | S.S | 4H2583-01 | 1 | 1 | 1 | |
| 4 | HINGE (LEFT) | S.S | 4H2584-01 | 1 | 1 | 1 | |
| 5 | TOP PANEL | S.S | 3H9607-01 | 1 | 1 | 1 | |
| 6 | FRONT PANEL (LOWER) | S.S | 2H3333-01 | 1 | 1 | 1 | |
| 7 | INSULATION - TOP PANEL | | 3H9602-01 | 1 | 1 | 1 | |
| 8 | SEAL | TP-230 t3x15x700 | 1H1762-44 | 1 | 1 | 1 | |
| 9 | FRONT FRAME | S.S | 3H7761-04 | 1 | 1 | 1 | |
| 10 | INSULATION - FRONT FRAME | PE | 4H2687-01 | 1 | 1 | 1 | |
| 11 | COVER - PIPE | G.S | 3H1436-01 | 1 | 1 | 1 | |
| 12 | DRAIN PAN | ABS | 2H1935-01 | 1 | 1 | 1 | |
| 13 | PIPE - DRAIN | ABS | 4H2688-01 | 1 | 1 | 1 | |
| 14 | DRAIN TUBE | SI | 4H2585-01 | 1 | 1 | 1 | |
| 15 | SLOPE | ABS | 3H1452G01 | 1 | 1 | 1 | |
| 16 | TAPER COLLAR | S.S | 4H0171-01 | 4 | 4 | 4 | |
| 17 | - | - | - | | | | |

IM-130WME
IM-130WME-23

B. REFRIGERATION UNIT

(D-1) (E-0) (E-1) and later
(A-0) (B-0) (C-0) (D-0)
(H-1) (H-2) (J-0) (K-0)

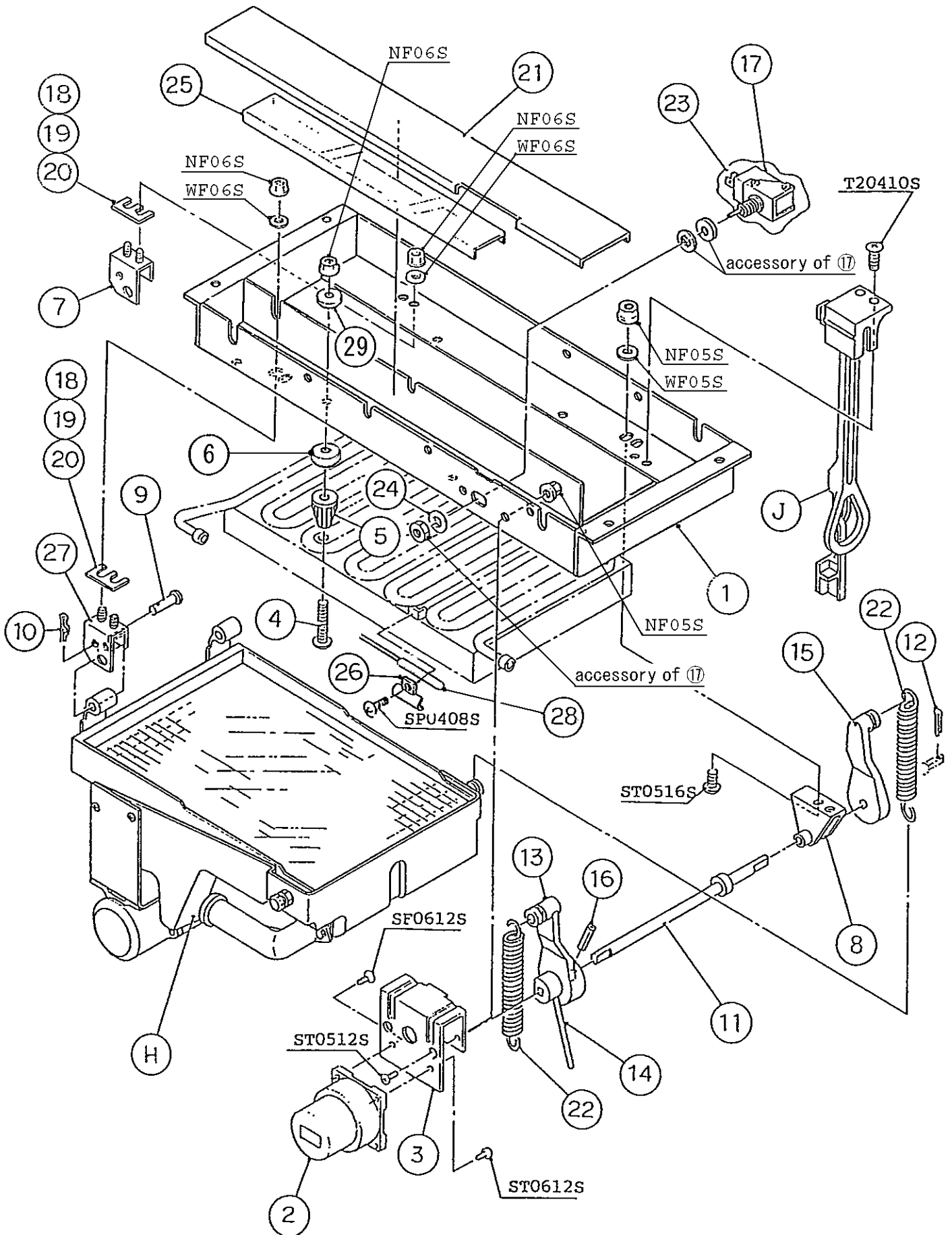


HE

| MODEL : IM-130WME | | | | | | | |
|--------------------------|-------------------------------|--------------------------|-------------|--------------------------------------|--------------------------------------|------------|-------------------|
| IM-130WME-23 | | | | TITLE : B. REFRIGERATION UNIT | | | |
| INDEX NO. | DESCRIPTION | MATERIAL OR MODEL NUMBER | PART NUMBER | REQ'D NUMBER | | | |
| | | | | H-1 | H-2,J-0 K-0,A-0 B-0,C-0 D-0 | D-1 E-0 | E-1 F-0 G-0 |
| 1 | PRESSURE SWITCH | ACB-CB80 | 446649-01 | 1 | 1 | 1 | 1 |
| 2 | BRACKET - PRESSURE SWITCH | - | 425506-01 | 1 | 1 | 1 | 1 |
| 3 | COMPRESSOR | SC12DL | 454833-01 | 1 | 1 | 1 | 1 |
| 4 | CONDENSER | (S-0396) | 2H0694G02 | 1 | 1 | 1 | 1 |
| 5 | CLAMP (B) - CON. | G.S | 4H0622-01 | 4 | 4 | 4 | 4 |
| 6 | HOT GAS VALVE | ATS-7S10HD-1 | 418636-02 | 1 | 1 | 1 | 1 |
| 7 | DRIER | DML032.5S | 462965-01 | 1 | 1 | 1 | 1 |
| 8 | EXPANSION VALVE | FSE-5NHD-1 | 454835-01 | 1 | 1 | 1 | 1 |
| 9 | EVAPORATOR | (130WME) | 2H6438G01 | 1 | 1 | 1 | 1 |
| | EVAPORATOR (S-0796) | (130WME-23) | 2H1836G01 | 1 | 1 | 1 | 1 |
| 10 | STEEL PIN | - | 452255-01 | 4 | 4 | 4 | 4 |
| 11 | INSULATION | φ25xφ35xL130 | 4X8643-01 | 1 | 1 | 1 | 1 |
| 12 | TIE | CV-150 | 7920-0003 | 6 | 6 | 6 | 6 |
| 13 | TIE | CV-100 | 7920-0002 | 7 | 7 | 7 | 7 |
| 14 | WATER REGULATOR | WV II -33HHD-2 | 445491-02 | 1 | 1 | 1 | 1 |
| 15 | COPPER TUBE (A-1) - HIGH SIDE | COPPER | 4H4569G02 | 1 | 1 | 1 | 1 |
| 16 | CLIP | - | 452256-01 | 4 | 4 | 4 | 4 |
| 17 | CLIP | 068N2531 | 452254-01 | 2 | 2 | 2 | 2 |
| 18 | HEAT EXCHANGER | COPPER | 4X5034G02 | 1 | — | | |
| | | COPPER | 4X5034G04 | | 1 | 1 | 1 |
| 19 | PROCESS TUBE | COPPER | 4X4459-01 | 1 | 1 | 1 | 1 |
| 20 | PIPE (A) - HOT GAS | COPPER | 4X5120G01 | 1 | 1 | 1 | 1 |
| 21 | PIPE (B) - HOT GAS | COPPER | 3X1126G01 | 1 | 1 | 1 | 1 |
| 22 | PIPE (B) - LOW SIDE | COPPER | 3X0125G01 | 1 | — | | |
| | | COPPER | 3X1868G01 | | 1 | 1 | 1 |
| 23 | PIPE (B) - HIGH SIDE | COPPER | 4X4597G01 | 1 | 1 | 1 | 1 |
| 24 | U BEND | - | 4X5726-01 | 1 | 1 | 1 | 1 |
| 25 | PIPE (A) - WATER SUPPLY | COPPER | 4H2768-01 | 1 | 1 | 1 | 1 |
| 26 | PIPE (B) - WATER SUPPLY | COPPER | 4H2769-01 | 1 | 1 | 1 | 1 |
| 27 | PIPE (C) - WATER SUPPLY | COPPER | 4X6100G01 | 1 | 1 | 1 | 1 |
| 28 | BASE | 2H3363A02 | 3Y2586G02 | 1 | 1 | 1 | 1 |
| 29 | BRACE - CONDENSER | | 4H0564-01 | 2 | 2 | 2 | 2 |
| 30 | BRACKET - PRESSURE SWITCH | | 4X5632-01 | 1 | 1 | 1 | 1 |
| 31 | INSULATION TUBE | φ20xφ30xL800 | 1H1764-28 | 1 | 1 | 1 | 1 |

HE,CHINA

| MODEL : IM-130WME | | | | | | | |
|--------------------------|-------------------------------|--------------------------|--------------|--------------------------------------|------------|--------------------|---|
| IM-130WME-23 | | | | TITLE : B. REFRIGERATION UNIT | | | |
| INDEX NO. | DESCRIPTION | MATERIAL OR MODEL NUMBER | PART NUMBER | REQ'D NUMBER | | | |
| | | | | G-1 | G-2 T-0 | T-1,U-0 V-0,L-0 | |
| 1 | PRESSURE SWITCH | ACB-CB80 | 446649-01 | 1 | 1 | 1 | |
| 2 | BRACKET - PRESSURE SWITCH | - | 425506-01 | 1 | 1 | 1 | |
| 3 | COMPRESSOR | SC12DL | 454833-01 | 1 | 1 | 1 | |
| 4 | CONDENSER | (S-0396) | 2H0694G02 | 1 | 1 | 1 | |
| 5 | CLAMP (B) - CON. | G.S | 4H0622-01 | 4 | 4 | 4 | |
| 6 | HOT GAS VALVE | ATS-7S10HD-1 | 418636-02 | 1 | 1 | 1 | |
| 7 | DRIER | DML032.5S | 462965-01 | 1 | 1 | 1 | |
| 8 | EXPANSION VALVE | FSE-5NHD-1 | 454835-01 | 1 | 1 | 1 | |
| 9 | EVAPORATOR | (130WME) | 2H6438G01 | 1 | 1 | 1 | |
| | EVAPORATOR (S-0796) | (130WME-23) | 2H1836G01 | 1 | 1 | 1 | |
| 10 | STEEL PIN | - | 452255-01 | 4 | 4 | 4 | |
| 11 | INSULATION | φ25xφ35xL130 | 4X8643-01 | 1 | 1 | 1 | |
| 12 | TIE | CV-150 | 7920-0003 | 6 | 6 | 6 | |
| 13 | TIE | CV-100 | 7920-0002 | 7 | 7 | 7 | |
| 14 | WATER REGULATOR | WV II -33HHD-2 | 445491-02 | 1 | 1 | 1 | |
| 15 | COPPER TUBE (A-1) - HIGH SIDE | COPPER | 4H4569G02 | 1 | 1 | 1 | |
| 16 | CLIP | - | 452256-01 | 4 | 4 | 4 | |
| 17 | CLIP | 068N2531 | 452254-01 | 2 | 2 | 2 | |
| 18 | HEAT EXCHANGER | - | - | | | | |
| | | COPPER | 4X5034G04 | 1 | 1 | 1 | |
| 19 | PROCESS TUBE | COPPER | 4X4459-01 | 1 | 1 | 1 | |
| 20 | PIPE (A) - HOT GAS | COPPER | 4X5120G01 | 1 | 1 | 1 | |
| 21 | PIPE (B) - HOT GAS | COPPER | 3X1126G01 | 1 | 1 | 1 | |
| 22 | PIPE (B) - LOW SIDE | - | - | | | | |
| | | COPPER | 3X1868G01 | 1 | 1 | 1 | |
| 23 | PIPE (B) - HIGH SIDE | COPPER | 4X4597G01 | 1 | 1 | 1 | |
| 24 | U BEND | - | 4X5726-01 | 1 | 1 | 1 | |
| 25 | PIPE (A) - WATER SUPPLY | COPPER | 4H2768-01 | 1 | 1 | 1 | |
| 26 | PIPE (B) - WATER SUPPLY | COPPER | 4H2769-01 | 1 | 1 | 1 | |
| 27 | PIPE (C) - WATER SUPPLY | COPPER | 4X6100G01 | 1 | 1 | 1 | |
| 28 | BASE | | 3Y2586G02 | 1 | 1 | 1 | |
| 29 | BRACE - CONDENSER | 2H3363A02 | 4H0564-01 | 2 | 2 | 2 | |
| 30 | BRACKET - PRESSURE SWITCH | | 4X5632-01 | 1 | 1 | 1 | |
| 31 | INSULATION TUBE | | φ20xφ30xL800 | 1H1764-28 | 1 | 1 | 1 |

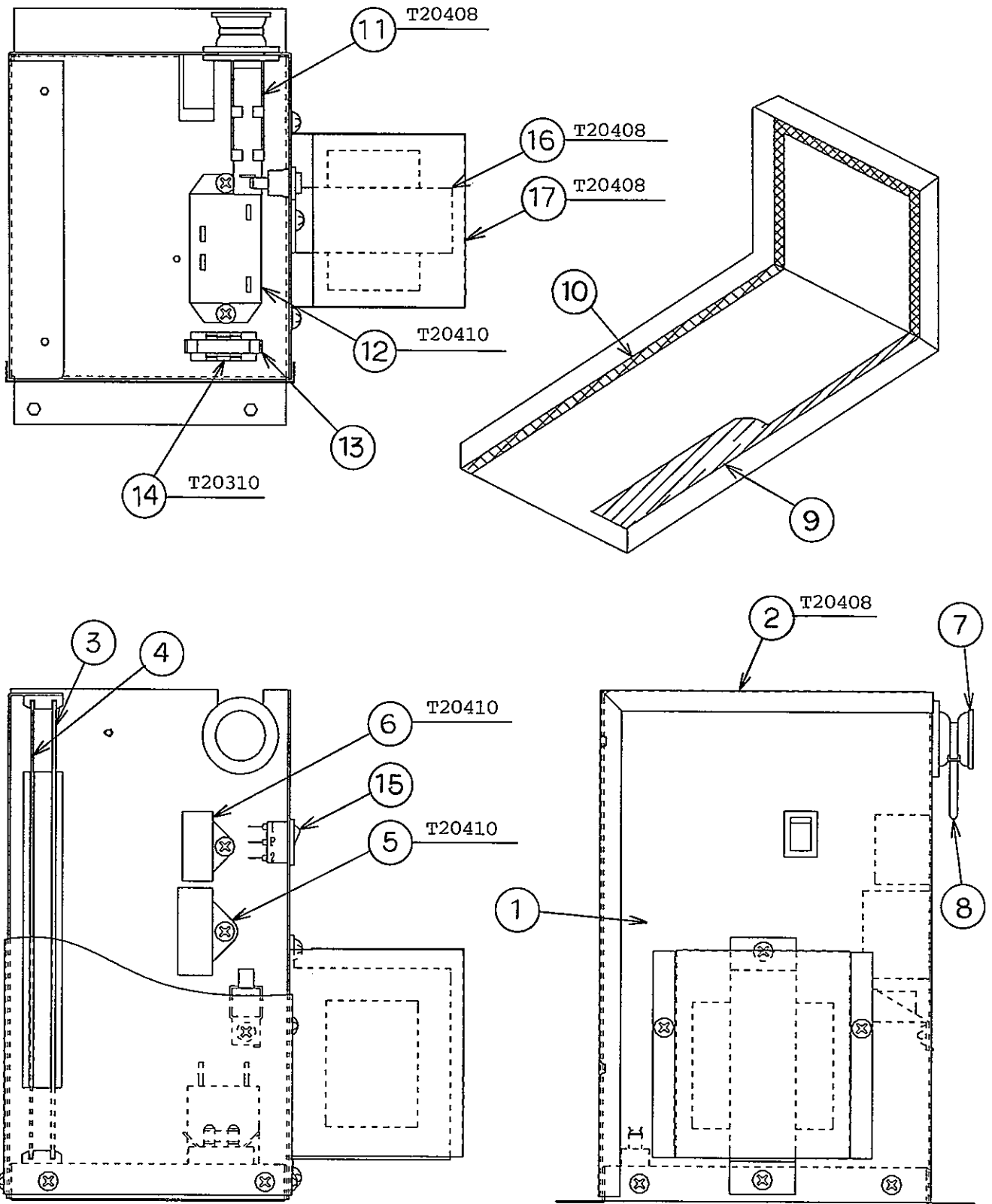


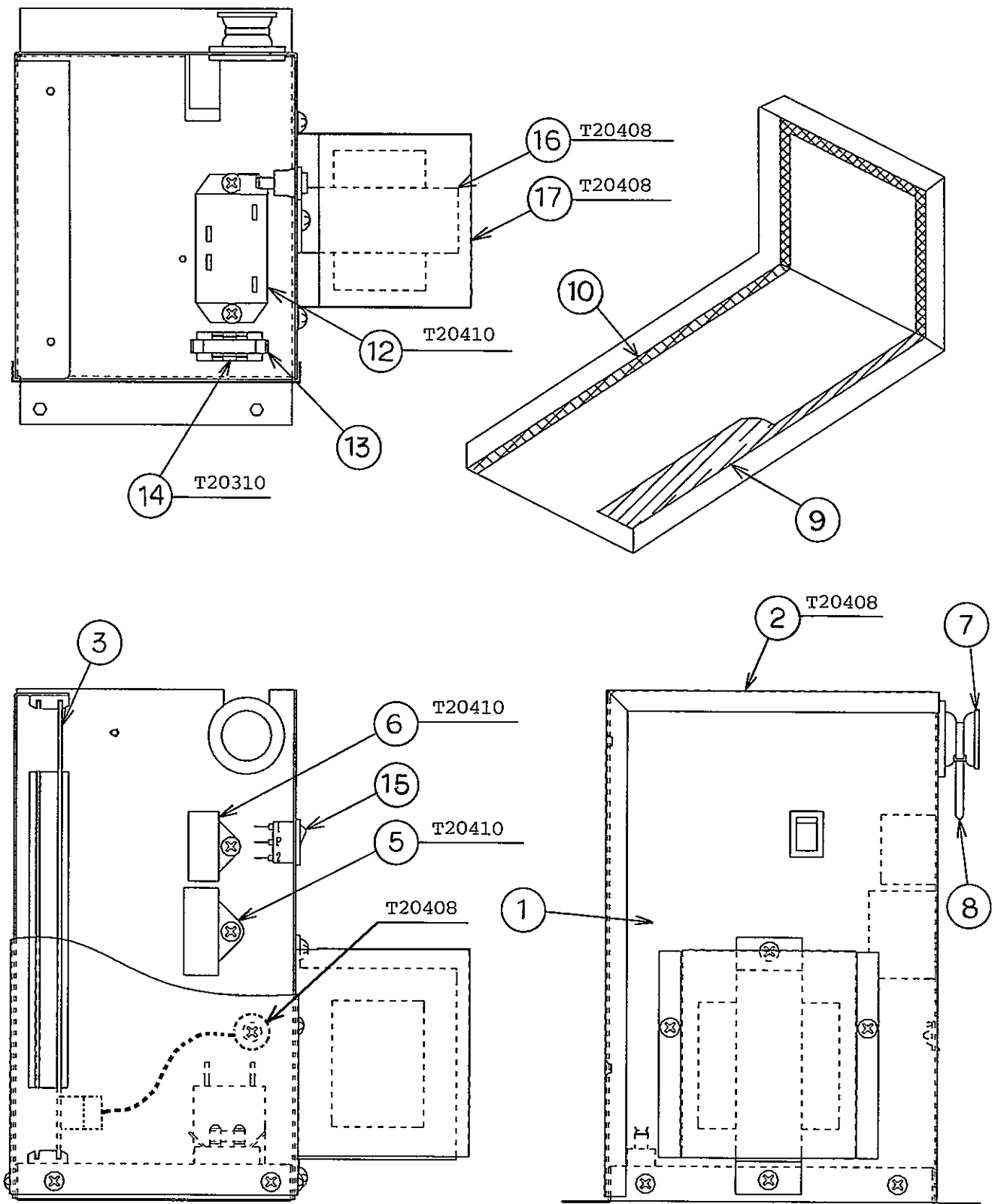
HE

| MODEL : IM-130WME | | | | | | | |
|--------------------------|--------------------------------------|--------------------------|-------------|---|--------------------------------------|------------|-------------------|
| IM-130WME-23 | | | | TITLE : C. ICE MAKING MECHANISM ASSY | | | |
| INDEX NO. | DESCRIPTION | MATERIAL OR MODEL NUMBER | PART NUMBER | REQ'D NUMBER | | | |
| | | | | H-1 | H-2,J-0 K-0,A-0 B-0,C-0 D-0 | D-1 E-0 | E-1 F-0 G-0 |
| H | WATER PAN ASSY | - | 2H0679A03 | 1 | 1 | 1 | 1 |
| J | BIN CONTROL SWITCH ASSY | (S-0819) | 3H1538A02 | 1 | 1 | 1 | 1 |
| 1 | BRACKET - ICE MAKING MECHANISM | PAINTED STEEL | 3H9594-01 | 1 | 1 | 1 | 1 |
| 2 | ACTUATOR MOTOR | SR65A41-13 | 452499-01 | 1 | 1 | 1 | 1 |
| 3 | BRACKET - ACTUATOR MOTOR | PAINTED STEEL | 4H2679-01 | 1 | 1 | 1 | 1 |
| 4 | BOLT - EVAPORATOR MOUNTING | (130WME) | 4H2678-01 | 4 | 4 | 4 | 4 |
| | BOLT - EVAPORATOR MOUNTING | (130WME-23) | 4H2886-01 | 4 | 4 | 4 | 4 |
| 5 | COLLAR | | 3H3879-01 | 4 | 4 | 4 | 4 |
| 6 | WASHER | (130WME-23) | 4H1365-05 | 4 | 4 | 4 | 4 |
| 7 | BEARING PLATE | S.S | 3H1440G04 | 1 | 1 | 1 | 1 |
| 8 | BEARING - CAM SHAFT | POM | 3X8307-01 | 1 | 1 | 1 | 1 |
| 9 | SHAFT (B) | S.S | 4H1184-02 | 2 | 2 | 2 | 2 |
| 10 | SNAP PIN | S.S, No.6 | 715S-0600 | 2 | 2 | 2 | 2 |
| 11 | CAM SHAFT | S.S | 4H2702G01 | 1 | 1 | 1 | 1 |
| 12 | SPLIT PIN | S.S, 2x12 | 711S-0212 | 1 | 1 | 1 | 1 |
| 13 | CAM (A) | (303881A02) | 306543G02 | 1 | 1 | 1 | 1 |
| 14 | CHANGE LEVER | S.S | 406261-01 | 1 | 1 | 1 | 1 |
| 15 | CAM (B) | AC | 315775-01 | 1 | 1 | 1 | 1 |
| 16 | SPRING PIN | S.S, 3x28 | 712S-0328 | 1 | 1 | 1 | 1 |
| 17 | TOGGLE SWITCH | VAT4-71 | 431977-01 | 1 | 1 | 1 | 1 |
| 18 | SHIM (A) - EVAPORATOR | S.S | 4H2691-01 | REQ'D | REQ'D | REQ'D | REQ'D |
| 19 | SHIM (B) - EVAPORATOR | S.S | 4H2691-02 | REQ'D | REQ'D | REQ'D | REQ'D |
| 20 | SHIM (C) - EVAPORATOR | S.S | 4H2691-03 | REQ'D | REQ'D | REQ'D | REQ'D |
| 21 | COVER - ICE MAKING MECHANISM BRACKET | PVC | 4H2681-01 | 1 | 1 | 1 | 1 |
| 22 | SPRING | S.S | 4H0287-01 | 2 | 2 | 2 | 2 |
| 23 | COVER - THERMISTOR | PE | 408163-01 | 1 | 1 | 1 | 1 |
| 24 | WASHER - TOGGLE SWITCH | S.S | 406196-01 | 1 | 1 | 1 | 1 |
| 25 | GUIDE - CONNECTOR | PVC | 4H5619-01 | 1 | 1 | 1 | 1 |
| 26 | HOLDER - THERMISTOR | PE | 3H9642-01 | 1 | 1 | 1 | 1 |
| 27 | BEARING PLATE | S.S | 3H1440G03 | 1 | 1 | 1 | 1 |
| 28 | THERMISTOR-CUBE CONTROL | - | 462976-03 | 1 | 1 | 1 | 1 |
| 29 | WASHER | AC | 4H0777-01 | 4 | 4 | 4 | 4 |
| | | | | | | | |
| | | | | | | | |

HE,CHINA

| MODEL : IM-130WME | | | | | | | |
|--------------------------|--------------------------------------|--------------------------|-------------|---|------------|--------------------|--|
| IM-130WME-23 | | | | TITLE : C. ICE MAKING MECHANISM ASSY | | | |
| INDEX NO. | DESCRIPTION | MATERIAL OR MODEL NUMBER | PART NUMBER | REQ'D NUMBER | | | |
| | | | | G-1 | G-2 T-0 | T-1,U-0 V-0,L-0 | |
| H | WATER PAN ASSY | - | 2H0679A03 | 1 | 1 | 1 | |
| J | BIN CONTROL SWITCH ASSY | (S-0819) | 3H1538A02 | 1 | 1 | 1 | |
| 1 | BRACKET - ICE MAKING MECHANISM | PAINTED STEEL | 3H9594-01 | 1 | 1 | 1 | |
| 2 | ACTUATOR MOTOR | SR65A41-13 | 452499-01 | 1 | 1 | 1 | |
| 3 | BRACKET - ACTUATOR MOTOR | PAINTED STEEL | 4H2679-01 | 1 | 1 | 1 | |
| 4 | BOLT - EVAPORATOR MOUNTING | (130WME) | 4H2678-01 | 4 | 4 | × 4 | |
| | SCREW EVAPORATOR | | 4Y4922M02 | | | ○4 | |
| | BOLT - EVAPORATOR MOUNTING | (130WME-23) | 4H2886-01 | 4 | 4 | × 4 | |
| | SCREW EVAPORATOR | | 4Y4922M03 | | | ○4 | |
| 5 | COLLAR | | 3H3879-01 | 4 | 4 | 4 | |
| 6 | WASHER | (130WME-23) | 4H1365-05 | 4 | 4 | 4 | |
| 7 | BEARING PLATE | S.S | 3H1440G04 | 1 | 1 | 1 | |
| 8 | BEARING - CAM SHAFT | POM | 3X8307-01 | 1 | 1 | 1 | |
| 9 | SHAFT (B) | S.S | 4H1184-02 | 2 | 2 | 2 | |
| 10 | SNAP PIN | S.S, No.6 | 715S-0600 | 2 | 2 | 2 | |
| 11 | CAM SHAFT | S.S | 4H2702G01 | 1 | 1 | 1 | |
| 12 | SPLIT PIN | S.S, 2x12 | 711S-0212 | 1 | 1 | 1 | |
| 13 | CAM (A) | (303881A02) | 306543G02 | 1 | 1 | 1 | |
| 14 | CHANGE LEVER | S.S | 406261-01 | 1 | 1 | 1 | |
| 15 | CAM (B) | AC | 315775-01 | 1 | 1 | 1 | |
| 16 | SPRING PIN | S.S, 3x28 | 712S-0328 | 1 | 1 | 1 | |
| 17 | TOGGLE SWITCH | VAT4-71 | 431977-01 | 1 | 1 | 1 | |
| 18 | SHIM (A) - EVAPORATOR | S.S | 4H2691-01 | REQ'D | REQ'D | REQ'D | |
| 19 | SHIM (B) - EVAPORATOR | S.S | 4H2691-02 | REQ'D | REQ'D | REQ'D | |
| 20 | SHIM (C) - EVAPORATOR | S.S | 4H2691-03 | REQ'D | REQ'D | REQ'D | |
| 21 | COVER - ICE MAKING MECHANISM BRACKET | PVC | 4H2681-01 | 1 | 1 | 1 | |
| 22 | SPRING | S.S | 4H0287-01 | 2 | 2 | 2 | |
| 23 | COVER - THERMISTOR | PE | 408163-01 | 1 | 1 | 1 | |
| 24 | WASHER - TOGGLE SWITCH | S.S | 406196-01 | 1 | 1 | 1 | |
| 25 | GUIDE - CONNECTOR | PVC | 4H5619-01 | 1 | 1 | 1 | |
| 26 | HOLDER - THERMISTOR | PE | 3H9642-01 | 1 | 1 | 1 | |
| 27 | BEARING PLATE | S.S | 3H1440G03 | 1 | 1 | 1 | |
| 28 | THERMISTOR-CUBE CONTROL | - | 462976-03 | 1 | 1 | 1 | |
| 29 | WASHER | AC | 4H0777-01 | 4 | 4 | 4 | |

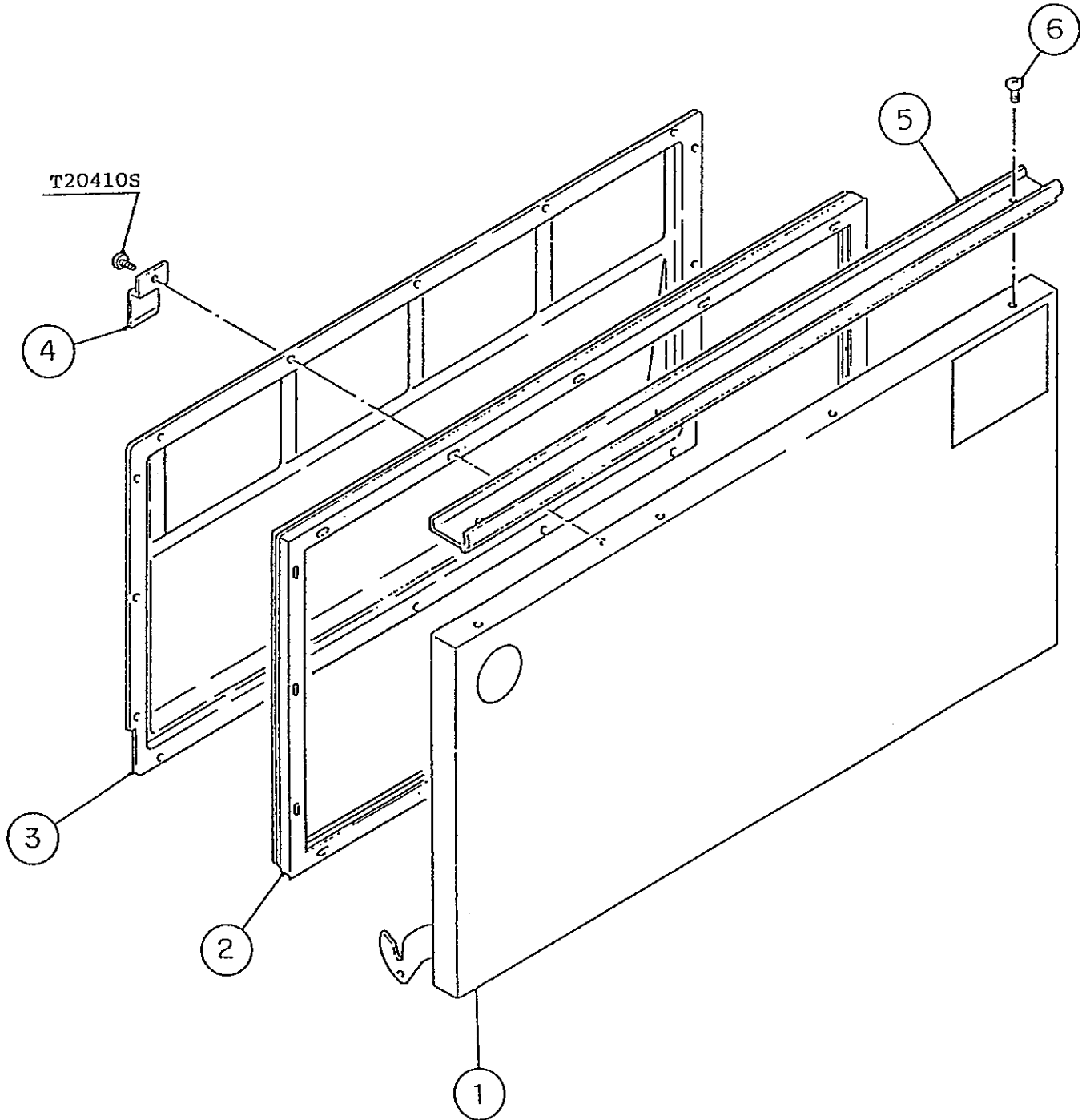


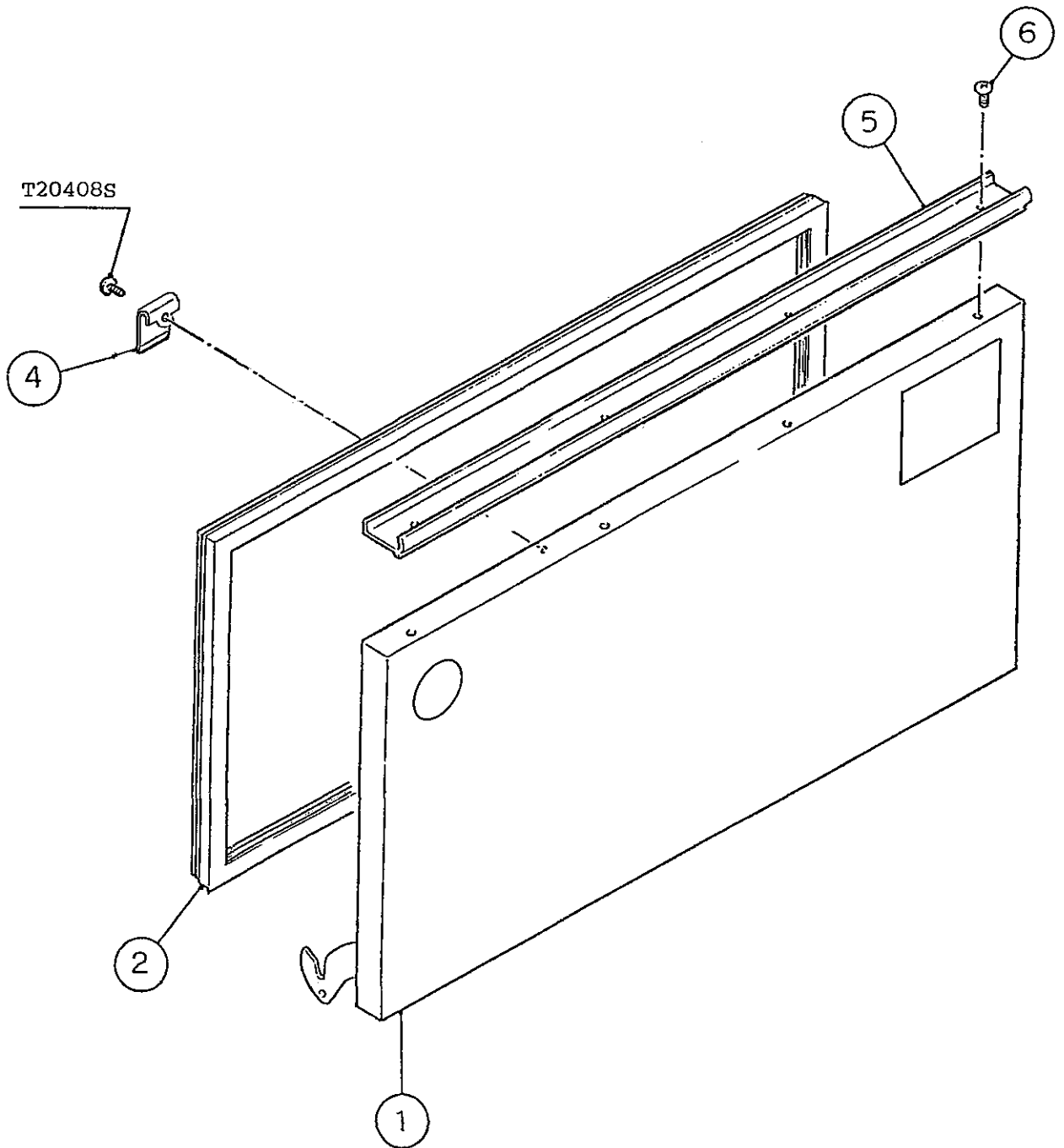


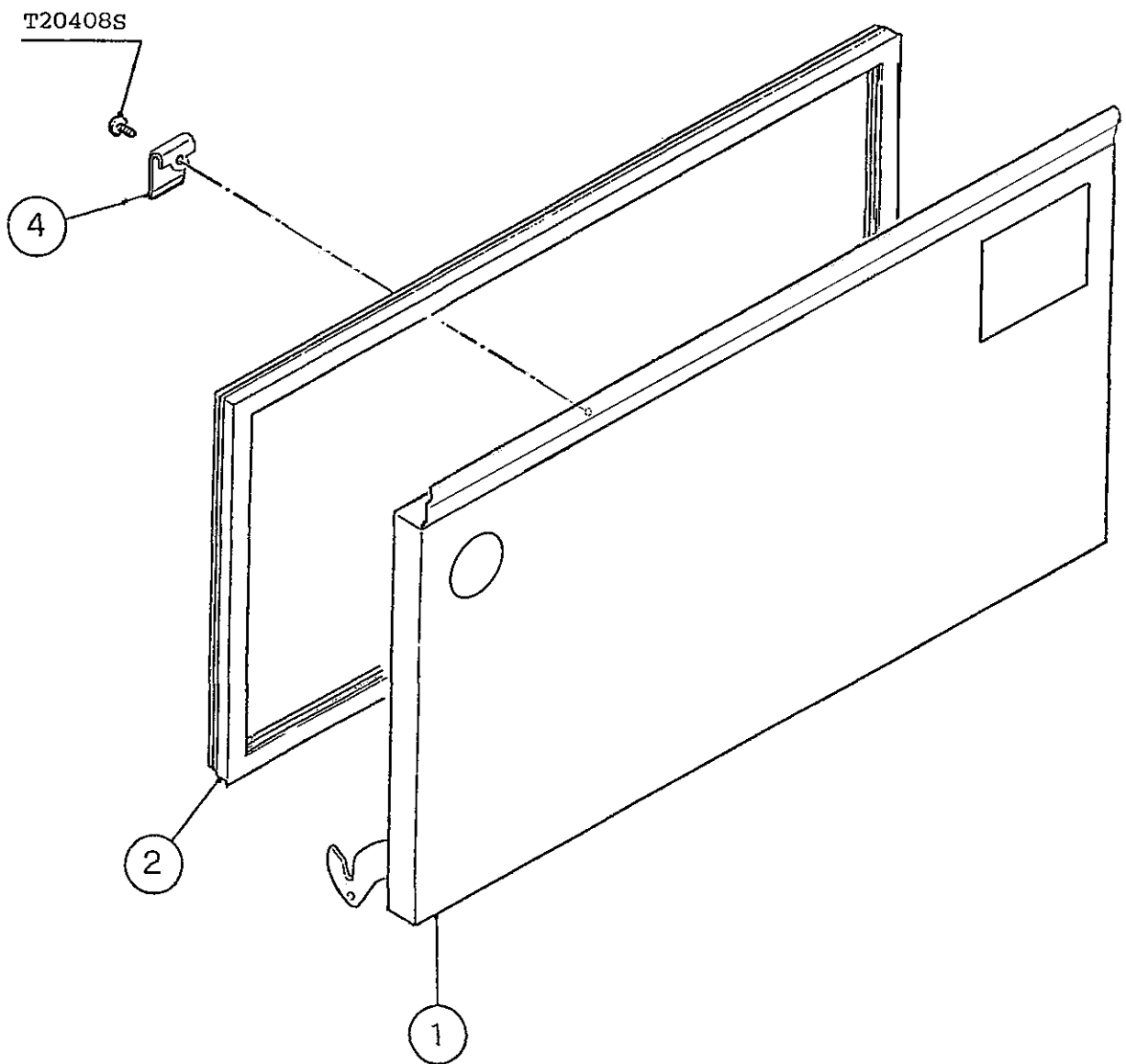
IM-130WME
IM-130WME-23

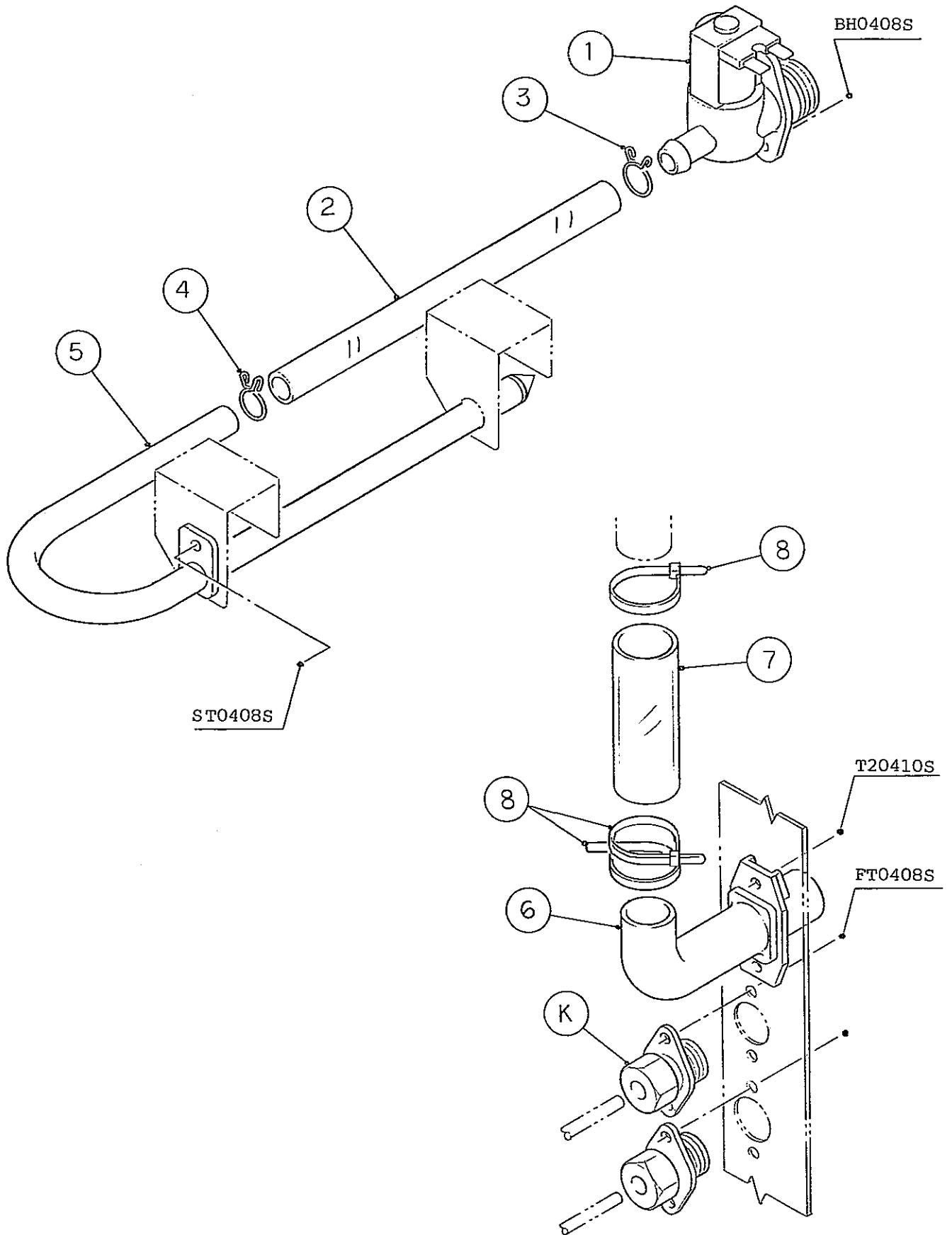
E. DOOR ASSY

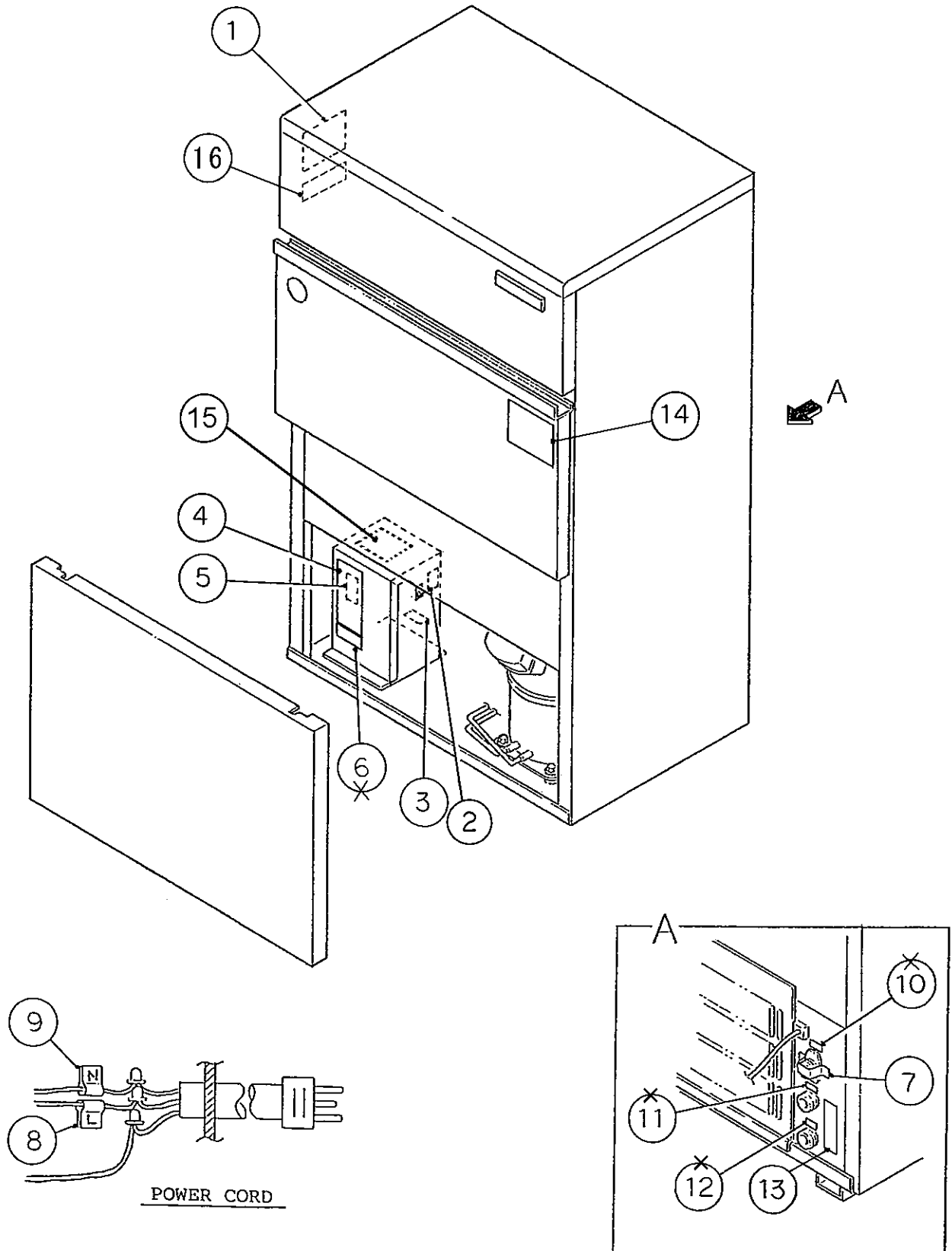
(G-0) (G-1)
(D-1) (E-0) (E-1) (F-0)
(A-0) (B-0) (C-0) (D-0)
(H-1) (H-2) (J-0) (K-0)







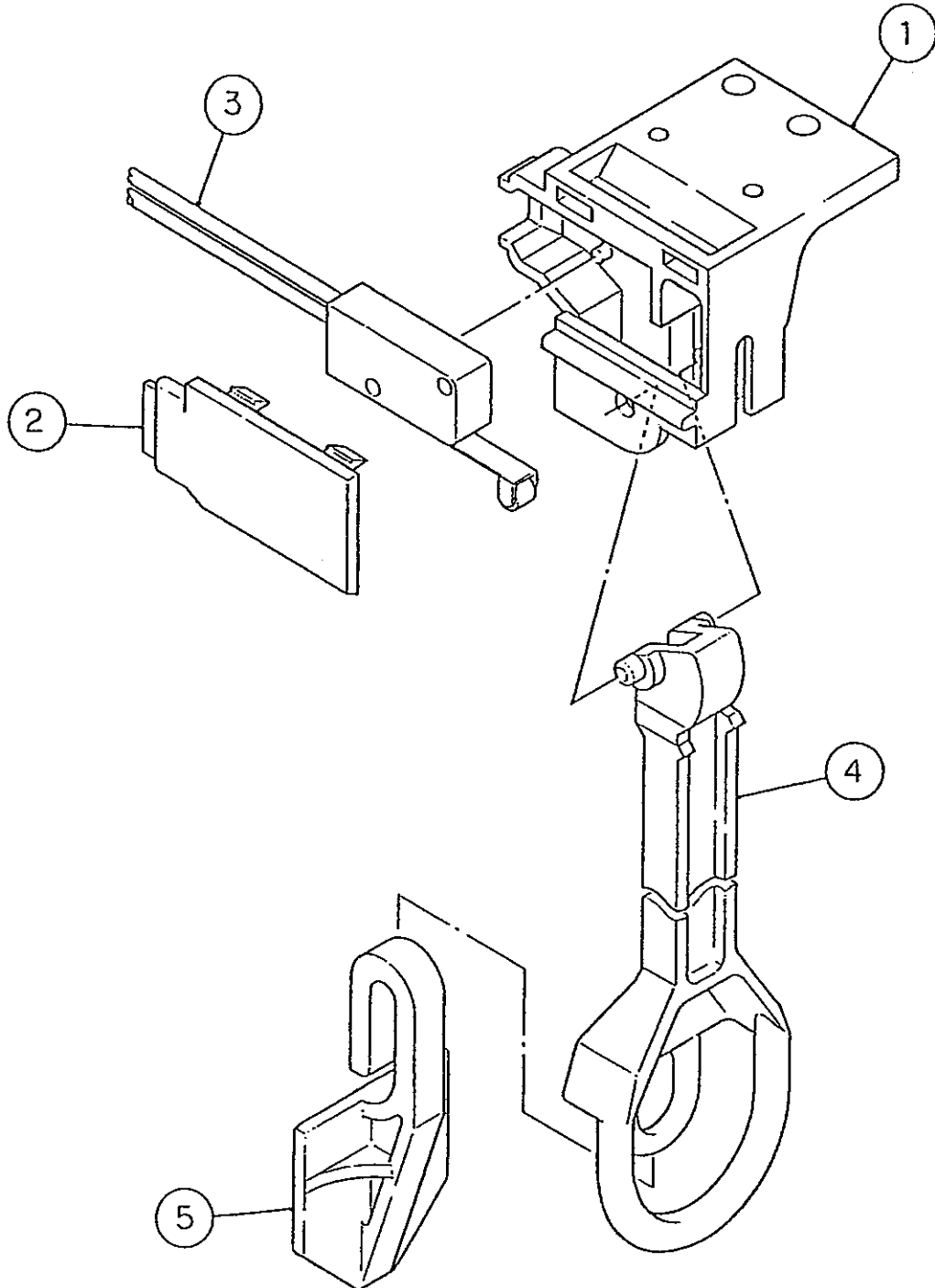




IM-130WME
IM-130WME-23

J. BIN CONTROL SWITCH ASSY

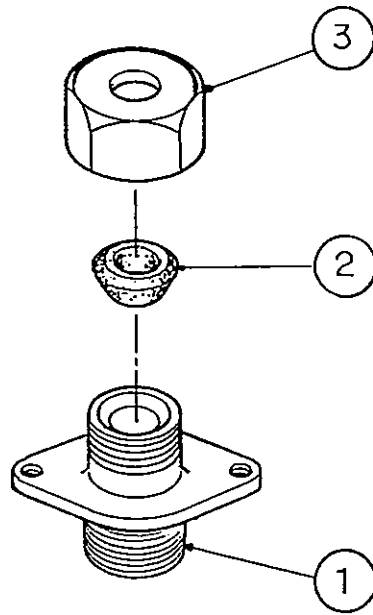
(D-1) (E-0) (E-1) and later
(A-0) (B-0) (C-0) (D-0)
(H-1) (H-2) (J-0) (K-0)



IM-130WME
IM-130WME-23

K. FITTING (P) ASSY

(D-1) (E-0) (E-1) and later
(A-0) (B-0) (C-0) (D-0)
(H-1) (H-2) (J-0) (K-0)



IM-130WME
IM-130WME-23

L. WATER PUMP ASSY

(D-1) (E-0) (E-1) and later
(A-0) (B-0) (C-0) (D-0)
(H-1) (H-2) (J-0) (K-0)

